

Harmony[®] HiResolution[®] Bionic Ear System

Technical Specifications



HiResolution[®] Sound Processing HiRes[®]-S

Capture	
Microphone Frequency Range	150 Hz–8000 Hz
Effective Audio Sampling Rate	17.4 kHz
Mapping Input Dynamic Range	20 dB–80 dB programmable (60 dB default)
Pre-Emphasis Filtering	Platinum Series™ Processor, HiRes[®] Auria[®] BTE: cascade of highpass Butterworth filters Platinum BTE, CII Bionic Ear BTE, Auria[®] Harmony[®] BTE: second order BiQuad filter
Automatic Gain Control (AGC) (Enabled, default)	Cambridge dual loop AGC (AGC II)
Automatic Gain Control (AGC) (disabled)	Functions as linear peak clipping for signal above the maximum specified system limit
Sensitivity	+/-10 dB (0 dB default)

Compose	
Filter Bands	16 maximum
Spectrum Filtering	Sixth order Butterworth bandpass
Acoustic Equalization (Gain)	+/-10 dB (0 dB default)

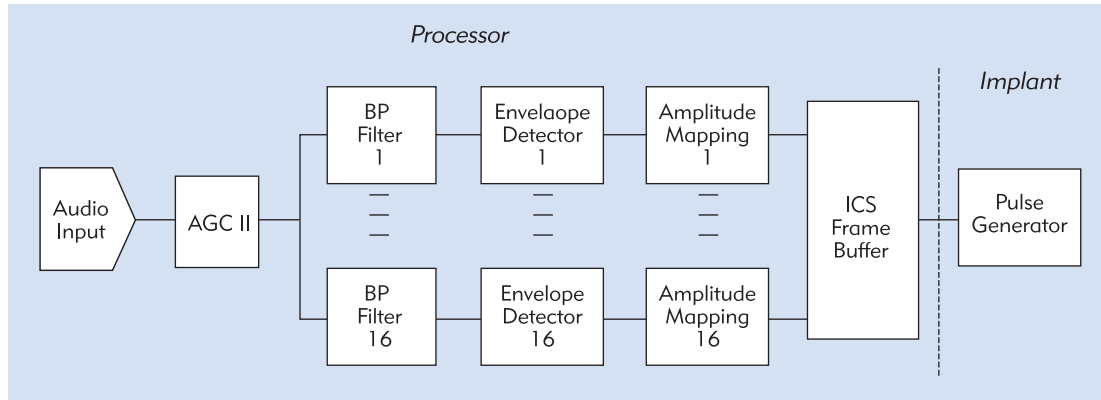
Detail	
Envelope Extraction	Bin averaging
Rectification	Half wave

Deliver	
Telemetry	1.0 Mbps bandwidth Continuous bi-directional
Output Circuits (Channels)	16 independent current sources to 16 channels
Electrodes	16 maximum programmable
Spectral Bands	16 maximum programmable, logarithmically spaced bands
Spectrum Mapping	Full capture range
Output Current	0 μ A–2040 μ A (0.25 μ A resolution), 0-6000 CU scale
Coupling	Monopolar
Pulse Width	10.7 μ s–229 μ s, automatically or manually programmable
Firing Order	Apex to base
Simultaneity	Sequential
Rate	2900 pps per channel/46,400 pps maximum programmable (136 pps minimum)

Harmony® HiResolution® Bionic Ear System

Technical Specifications

HiResolution® Sound Processing HiRes®-S



HiRes Signal Processing Path



www.AdvancedBionics.com

HEADQUARTERS

Advanced Bionics, LLC
12740 San Fernando Road
Sylmar, CA 91342 USA
877. 829.0026 in USA and Canada
800. 678.3575 TTY
661. 362.1400
661. 362.1500 Fax
info@AdvancedBionics.com

EUROPE

Advanced Bionics SARL
76 rue de Battenheim
68170 Rixheim, France
+33.3.89.65.98.00
+33.3.89.65.50.05 Fax
europe@AdvancedBionics.com

ASIA-PACIFIC

Advanced Bionics Asia-Pacific Limited
Suite 4203, 42/F, Tower One
Lippo Centre, 89 Queensway
Hong Kong
852.2526.7668
852.2526.7628 Fax
AP@AdvancedBionics.com

LATIN AMERICA

Advanced Bionics
28515 Westinghouse Place
Valencia, CA 91355, USA
661. 362.1840
661. 362.4604 Fax
LA@AdvancedBionics.com