

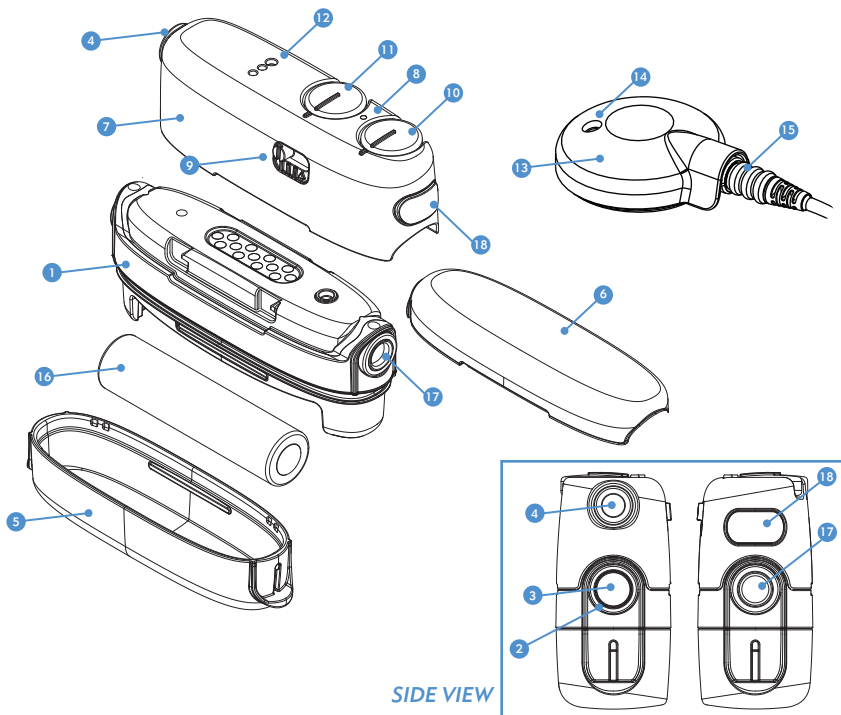
QUICK START GUIDE

for the NEPTUNE™ Sound Processor

For additional information about the operation of your processor, refer to the Neptune Sound Processor User Guide.

Neptune System Parts

1. Sound Processor
2. Processor LED
3. On/Off Button
4. Auxiliary Connector
5. Battery Cover
6. Color Cover
7. Neptune Connect
8. Neptune Connect Sync Light
9. Program Switch
10. Volume Control
11. Sensitivity Control
12. Euro Port Connector
13. Headpiece
14. Microphone
15. Headpiece Cable
16. AAA Battery
17. Headpiece Cable Connector
18. Neptune Connect Release Latch



SIDE VIEW

